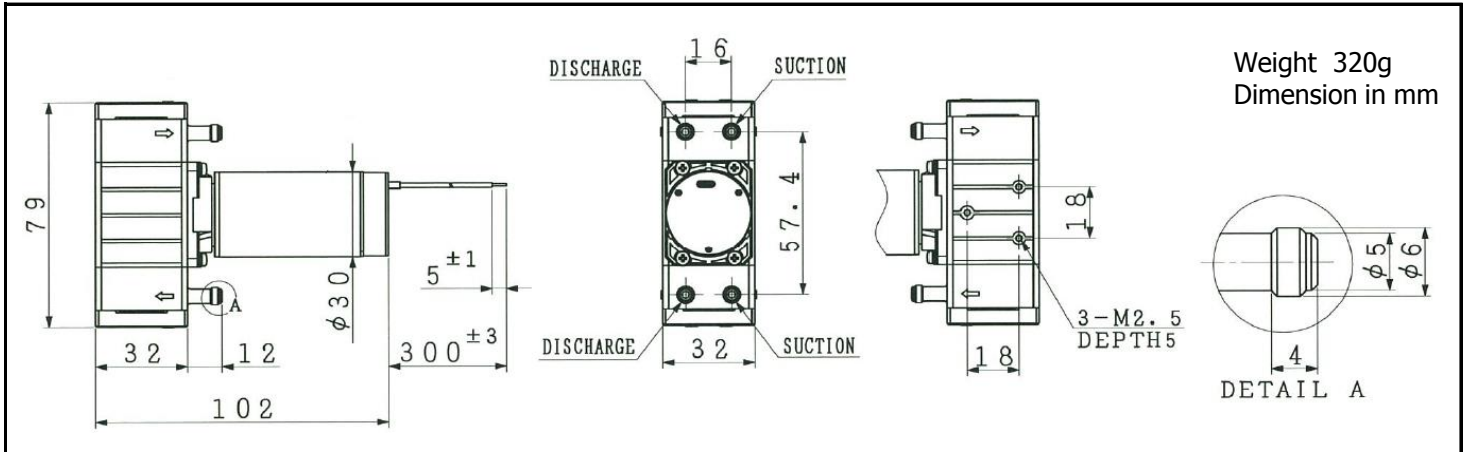
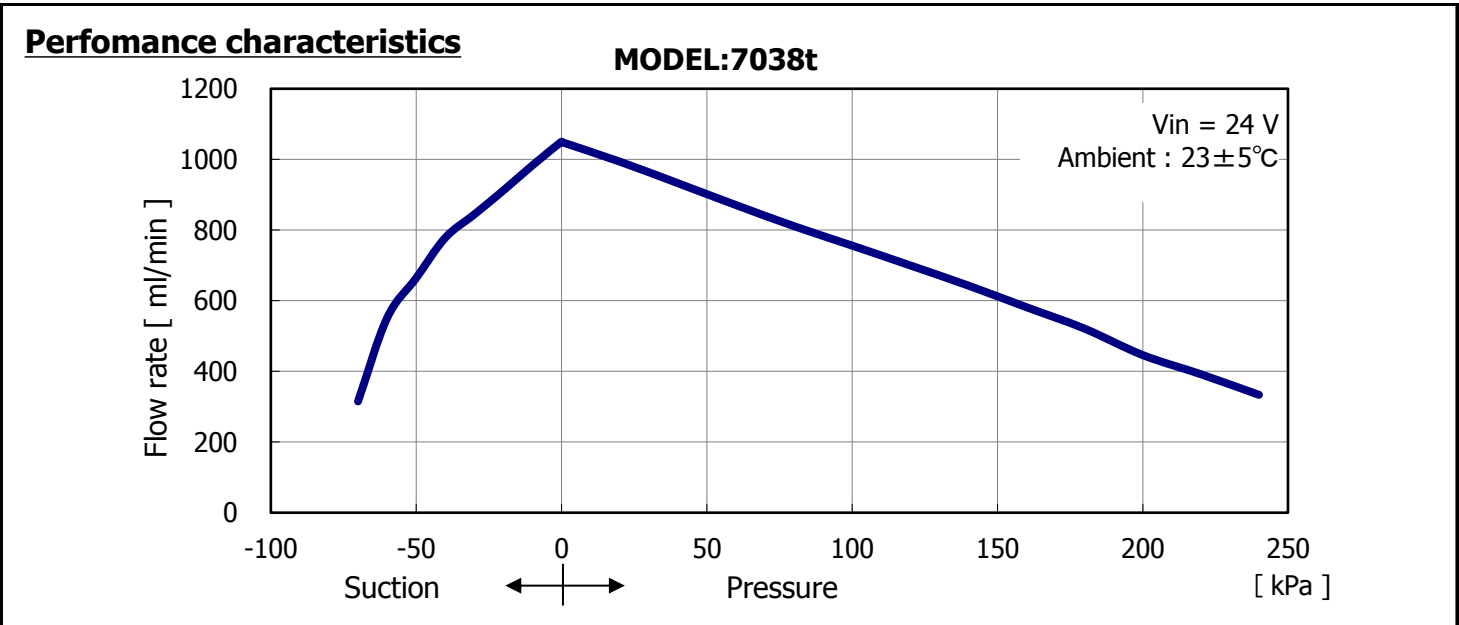


7038t

Micro Diaphragm Liquid Pump



Ordering number	7038t	
Nominal voltage : Vcc	24	V
Motor type	DC Brushless Motor	
	Drive circuit built-in	
Maximum flow rate	1000	ml/min
Nominal current consumption	370	mA
Pressure range	0...+100	kPa
Suction range	-50...0	kPa



General Specifications

Ambient temperature range	+5...+50	°C
Fluid temperature	+5...+50	°C
Diaphragm	FKM	
Valve	FKM	
Other wetted materials	FKM,PFA,PTFE	

Electrical connections

1	Red	Vcc	8.0...26 V
2	Black	GND	GND
3	White	FG pulse output	3pulse/rev (Vp-p=5V)
(4) Option	Blue	PWM pulse input	Frequency 50kHz max.
			Low level 0.0...1.0V
			Hi level 2.0...5.0 V

- Options:**
- Change of wetted material.

Ordering number	7048t
Diaphragm	PTFE
Rubber materials	FFKM
 - Variable flow rate by the PWM pulse input.

※Please contact our sales division.

Conditions:
 Data displayed in this datasheet are measured with purified water at 20°C using a Toalon-G tube of 4mm internal (6mm external) diameter and 160 cm length using Namiki standard test equipment.