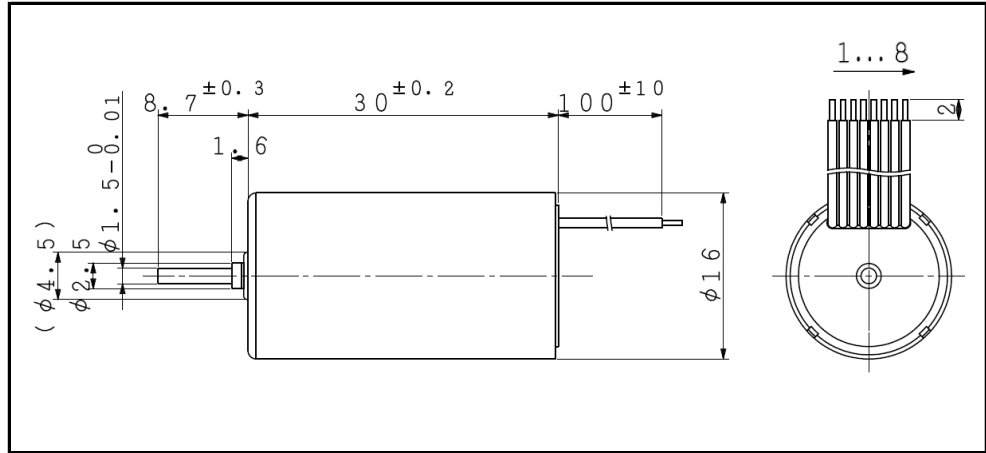
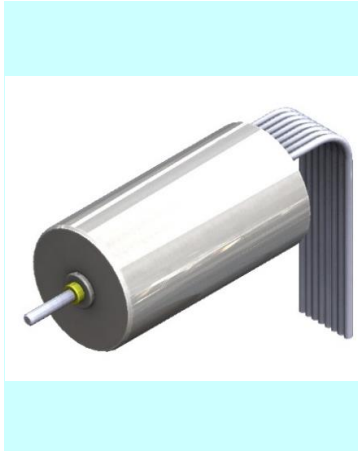


BMS 16-30 **φ16 , 2.80 mNm** with Hall sensors



For combination with gearhead: SSG15, SPG16

Dimension in mm

Ordering number	BMS16-3001	BMS16-3002	BMS16-3009	
1	7.4	12.0	24.0	V
2	3.00	2.96	2.83	mNm
3	15900	16300	16200	rpm
4	814	510	245	mA
5	17300	17800	17800	rpm
6	74	47	23	mA
7	36.12	35.43	32.60	mNm
8	9.00	5.59	2.57	A
9	16.4	16.5	15.2	W
10	83	83	82	%
11	0.82	2.15	9.32	Ω
12	0.30	0.30	0.30	mNm
13	0.424	0.669	1.338	mV/rpm
14	4.05	6.39	12.78	mNm/A
15	479	502	545	rpm/mNm
16	2.95	3.09	3.36	ms
17	0.59	0.59	0.59	gcm ²
18	18.06	17.71	16.30	mNm

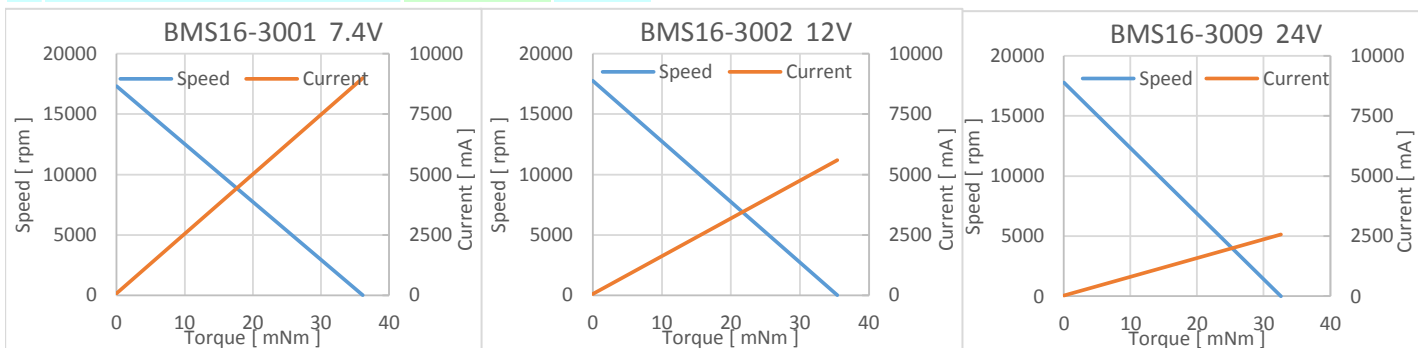
Mechanical data		
19	Shaft radial play	0.015 mm
20	Shaft axial play	0.23 mm
21	Max. shaft radial load	0.27 (3.7 mm) N
22	Max. shaft axial load	0.1 N
23	Max. shaft axial load at standstill	10 N

Electrical connections		
#1	Lw	Motor winding W
#2	Lv	Motor winding V
#3	Lu	Motor winding U
#4	Vdd	Input voltage 3.0V
#5	Gnd	GND
#6	Hw	Hall sensor output W
#7	Hv	Hall sensor output V
#8	Hu	Hall sensor output U

Environmental specifications		
24	Operating temperature	-20 ~ 80 °C
25	Max. coil temperature	90 °C

Other specifications		
26	Weight	42 g

*The characteristics are measured with our test driver.



V01