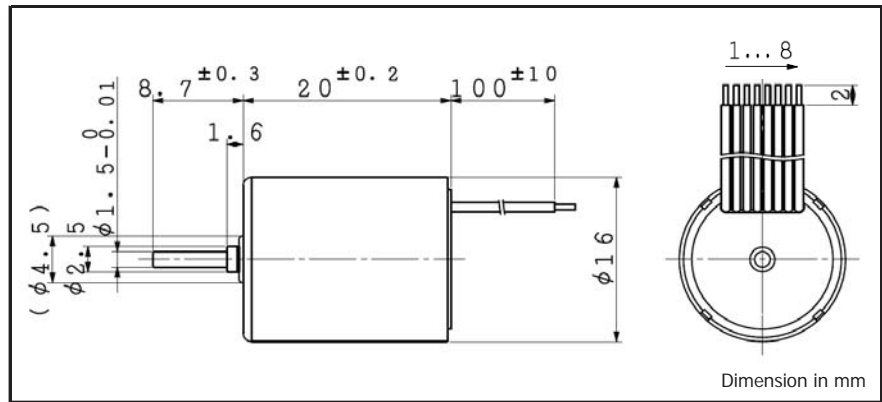


BMS 16-20

φ 16 , 1.90 mNm

with Hall sensors



For combination with gearbox: SSG15, SPG16

Ordering number	BMS16-2001	BMS16-2004	BMS16-2013	
1	7.4	12.0	24.0	V
2	2.04	1.93	1.96	mNm
3	19500	19600	21000	rpm
4	739	441	238	mA
5	22000	22200	23700	rpm
6	94	59	31	mA
7	18.04	16.43	16.77	mNm
8	5.80	3.31	1.80	A
9	10.4	9.6	10.4	W
10	76	75	75	%
11	1.28	3.63	13.34	Ω
12	0.30	0.30	0.30	mNm
13	0.331	0.530	0.994	mV/rpm
14	3.16	5.06	9.49	mNm/A
15	1218	1353	1415	rpm/mNm
16	4.39	4.88	5.10	ms
17	0.34	0.34	0.34	gcm ²
18	9.02	8.22	8.39	mNm

Mechanical data			
19	Shaft radial play	0.015	mm
20	Shaft axial play	0.23	mm
21	Max. shaft radial load	0.27 (3.7 mm)	N
22	Max. shaft axial load	0.1	N
23	Max. shaft axial load at standstill	20	N

Electrical connections			
#1	Hw	Hall sensor output W	
#2	Hv	Hall sensor output V	
#3	Hu	Hall sensor output U	
#4	Vdd	Input signal 3.0V	
#5	Lw	Motor winding W	
#6	Lv	Motor winding V	
#7	Lu	Motor winding U	
#8	Gnd	GND	

Environmental specifications			
24	Operating temperature	-20 ~ 80	°C
25	Max. coil temperature	90	°C

Other specifications			
26	Weight	28	g

